



# ARLINGTON MODULAR OFFICE



Comfortably relaxing.....Comfortably productive



# 60" Units

# 48" Units

Shown in Brown Maple with  
OCS 113 Michaels Cherry Stain



#838 60" Hutch  
60"W x 13½"D x 32"H  
- 2 Adjustable Shelves  
- Letter/Paper Storage



#836 48" Hutch  
48"W x 13½"D x 32"H  
- 2 Adjustable Shelves



#849 60" Credenza  
60"W x 24"D x 30¾"H  
- 4 File Drawers  
- 1 Adjustable Shelf



#846 48" Credenza  
48"W x 24"D x 30¾"H  
- 2 File Drawers  
- 1 Adjustable Shelf



#848 60" Desk  
60"W x 24"D x 30¾"H  
- Laptop Pullout Drawer  
- 2 Storage Drawers



#844 Rolling File on Casters  
(Rolls under #845 and #848 Desks)  
17"W x 22"D x 24"H  
- 1 Storage Drawer  
- 1 File Drawer



#845 48" Desk  
48"W x 24" D x 30¾" H  
- Laptop Pullout Drawer



Only Base Unit Backs Finished For Middle Room Exposure

# Files and Corner Desk Units

Shown in Brown Maple with  
OCS 113 Michaels Cherry Stain



#840 Corner Table  
24"W x 24"D x 30<sup>3</sup>/<sub>4</sub>"H  
- 1 Lower Shelf



#841 Corner Desk  
65"W x 30"D x 30<sup>3</sup>/<sub>4</sub>"H (Wall Space 45<sup>1</sup>/<sub>2</sub>")  
- 1 Laptop Pullout Drawer



#842 File  
24"W x 24"D x 30<sup>3</sup>/<sub>4</sub>"H  
- 2 File Drawers

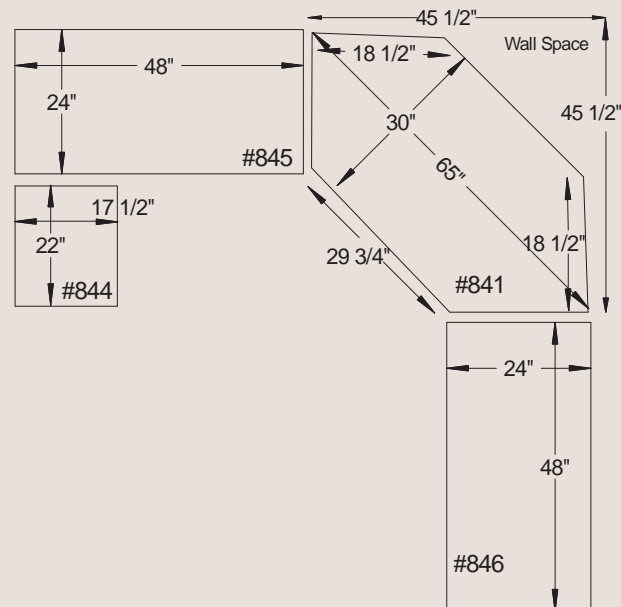
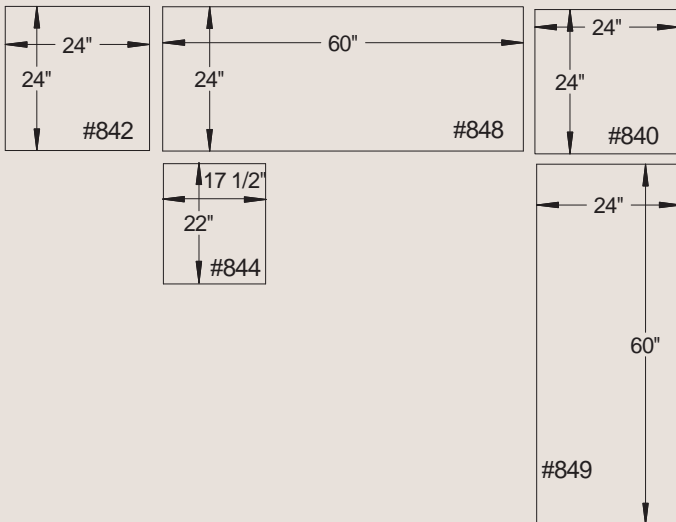


#843 Lateral File  
32<sup>1</sup>/<sub>4</sub>"W x 24"D x 30<sup>3</sup>/<sub>4</sub>"H  
- 2 File Drawers



Finished  
Backs  
Featured on  
Corner Desk  
Corner Table  
and Files

## Floor Plan Layouts

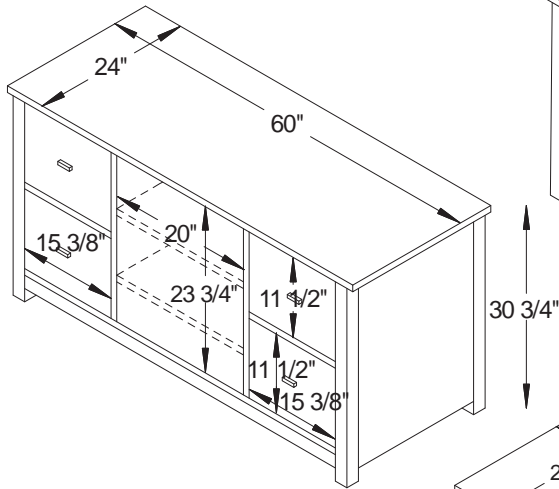


Comfortably relaxing.....Comfortably productive

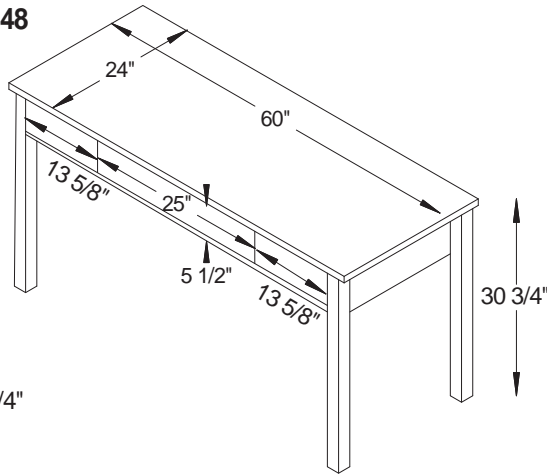
# Dimensions

Note: Dimensions on doors and drawers reflect opening sizes

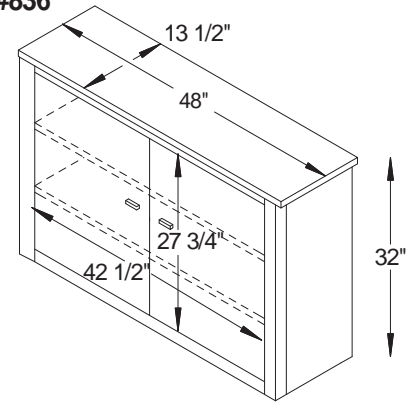
#849



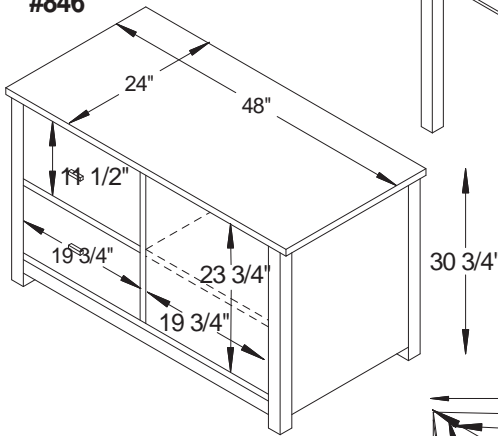
#848



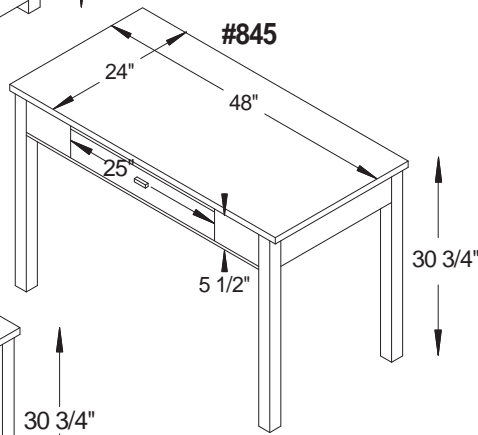
#836



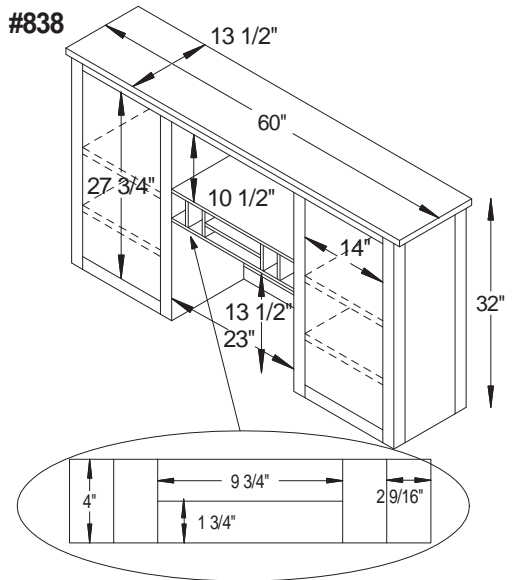
#846



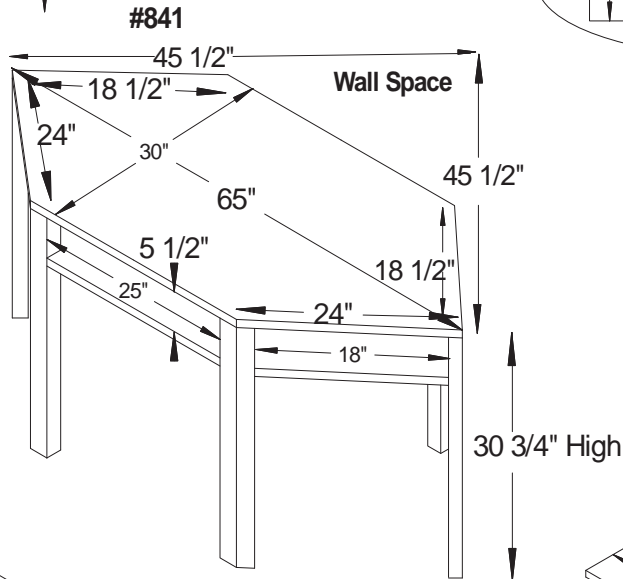
#845



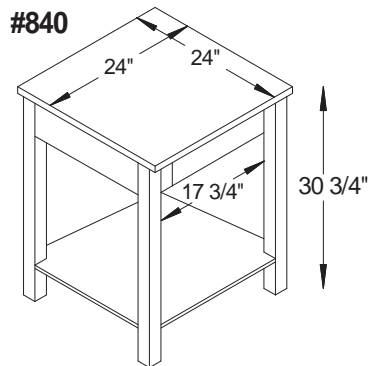
#838



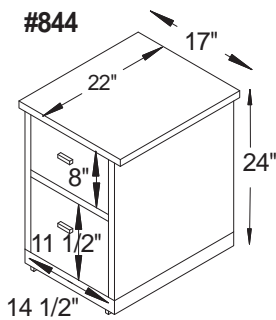
#841



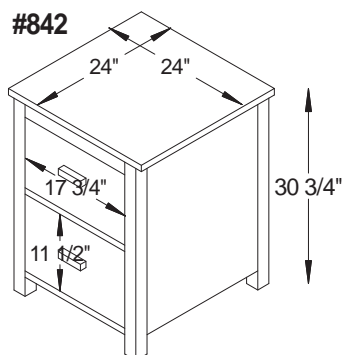
#840



#844



#842



#843

